

A

B

C

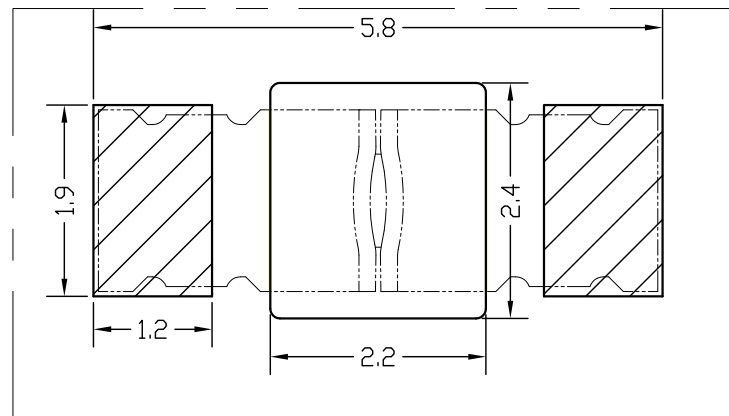
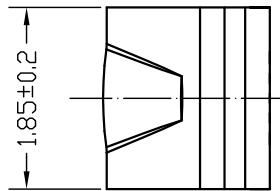
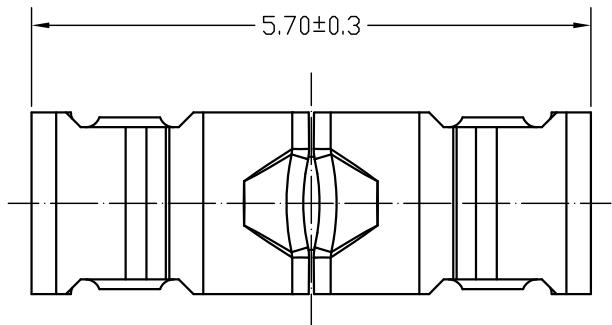
D

E

F

REV	ECN No.	DESCRIPTION	DESIGN	DATE
A0		Release	蒋建银	2017.03.23

1



PCB LAYOUT

2

主要技术参数 Main Specifications

线 数 (Poles): 01

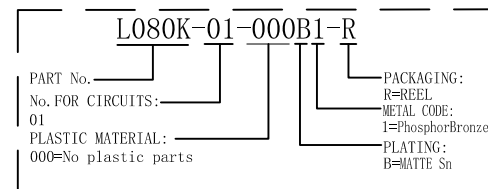
接触电阻 (Contact resistance): ≤30mΩ

额定电压 (Rated voltage): 275V AC DC

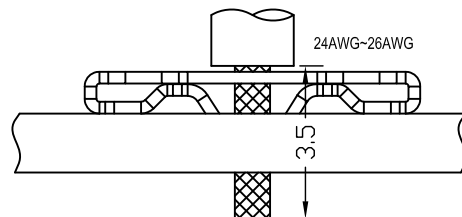
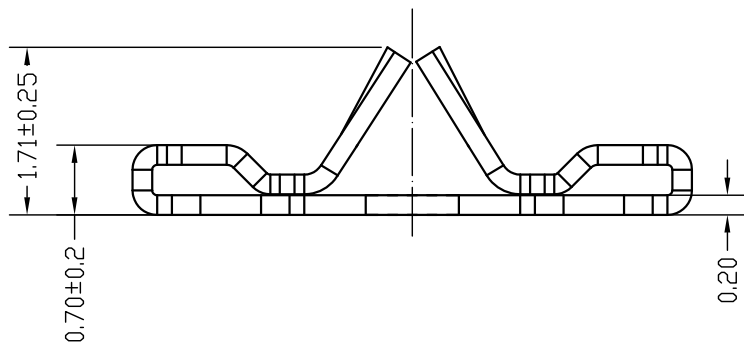
额定电流 (Rated current): 1.0A AC DC

温度范围 (Temperature Range): -40°C ~ +125°C

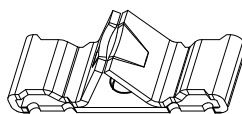
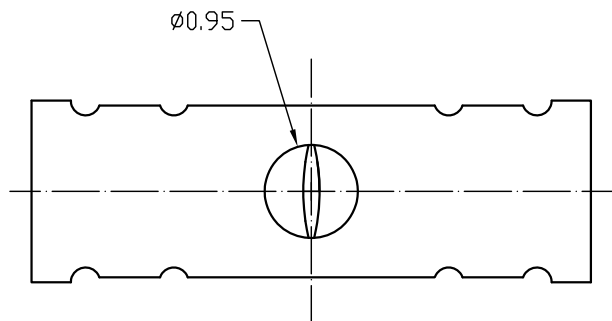
ORDER INFORMATION:



3



4



5

C				
B				
A	CONTACT	1 PCS	PhosphorBronze	MATTE Sn-plated
ITEM	COMPONENT	Q'TY	MATERIAL	FINISH
<b>JKUN</b> 温州健坤接插件有限公司 WENZHOU JKUN CONNECTOR CO.,LTD.				TITLE:
X.±0.5	X.±5'	USE:	PART NO.:	
.X±0.3	.X±2'	APPD:	L080K-01-000B1-R	
.XX±0.25	.XX±1'	CHKD:	DWG NO.:	
--	--	DR:	JKUN-GCCP-1096	
⊕	∇	UNITS: mm	SCALE	SHEET
			1 : 1	1 / 1

A

B

C

D

E

F