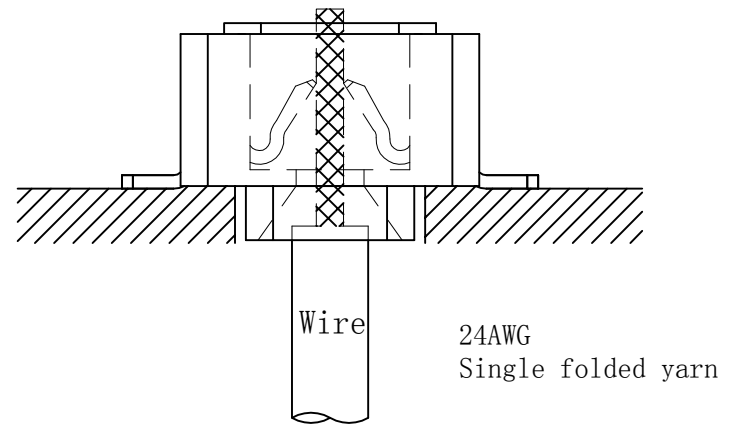


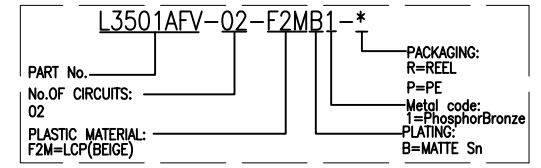
REV	DESCRIPTION	DESIGN	DATE
A0	Release	吴丹平	2017.03.23



主要技术参数 Main Specifications

- 线数 (Poles): 02
- 接触电阻 (Contact resistance): $\leq 30m\Omega$
- 绝缘电阻 (Insulation resistance): $\geq 1000M\Omega$
- 额定电压 (Rated voltage): 275V AC DC
- 额定电流 (Rated current): 1.0A AC DC
- 耐电压 (Withstand Voltage): 1000V AC/minute
- 温度范围 (Temperature Range): $-40^{\circ}C \sim +130^{\circ}C$

ORDER INFORMATION:



ITEM	COMPONENT	Q'TY	MATERIAL	FINISH
B	CONTACT	4 PCS	PhosphorBronze	MATTE Sn-plated
A	HOUSING	1 PCS	LCP	UL 94V-0, COLOR:BEIGE

JKUN 温州健坤接插件有限公司 WENZHOU JKUN CONNECTOR CO., LTD.			TITLE: -	
X. ± 0.5	X. $\pm 5^{\circ}$	USE: CUSTOMER	PART NO.:	
.X ± 0.3	.X $\pm 2^{\circ}$		L3501AFV-02-F2MB1-*	
.XX ± 0.25	.XX $\pm 1^{\circ}$	APPD: 邵敬和	DWG NO.:	
--	--	CHKD: 田峰	JKUN-GCCP-0472	
	UNITS: mm	DR: 吴丹平	SCALE	SHEET
			1 : 1	1 / 1

