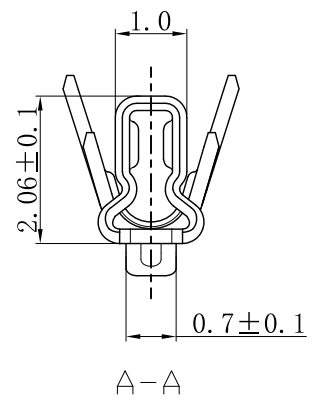
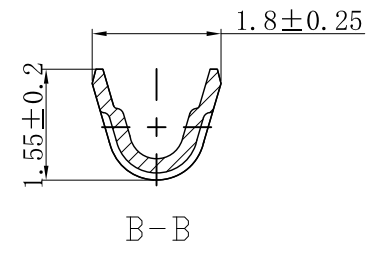
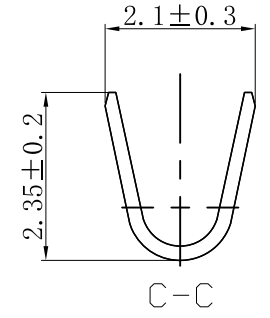
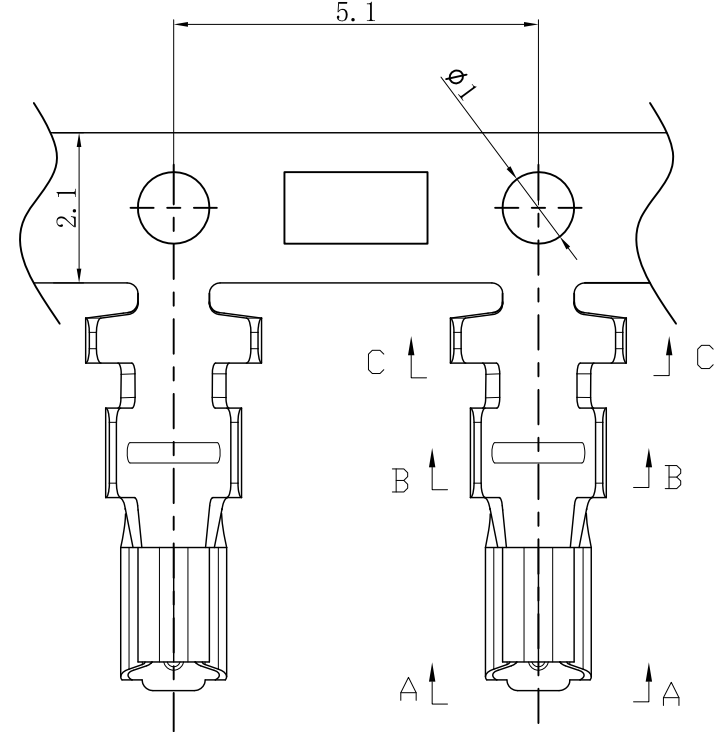
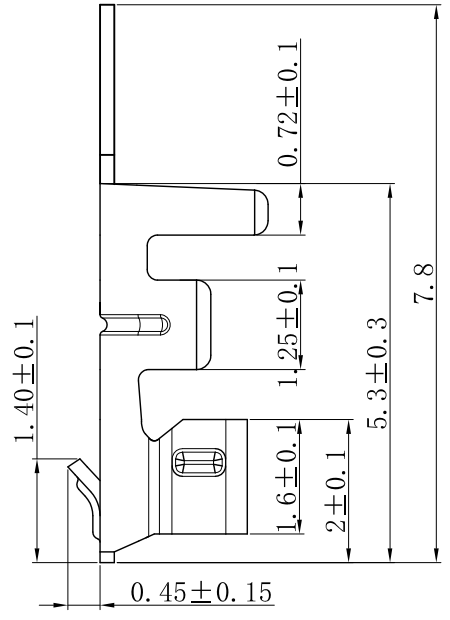


REV	ECN No.	DESCRIPTION	DESIGN	DATE
A0		Release	蒋建银	2018.01.10



Ordering Information & Specification:

Part No	Wire Range	Insulation O.D.	Material	Finish	Qty/Reel
A2001T-10	AWG #24~#32	1.60mm (MAX)	Phosphor bronze	Tin-plated	/
JKUN 温州健坤接插件有限公司 WENZHOU JKUN CONNECTOR CO., LTD.				TITLE:	
X±0.5	X±5'	USE:	CUSTOMER		
.X±0.3	.X±2'	APPD:	邵敬和		
.XX±0.25	.XX±1'	CHKD:	田峰		
--	--	DR:	蒋建银		
UNITS: mm		SCALE		SHEET	
		1 : 1		1 / 1	

A

B

C

D

E

F

1

2

3

4

5

A

B

C

D

E

F